



Installation Instructions

SPECIFICATIONS AND DESCRIPTION

Manufactured from color integrated Glass Fiber Reinforced Concrete (GFRC) over structural steel frame. Glass fiber is Alkali Resistant (AR) type glass formulated for concrete. GFRC shall be 1,500 pounds per square inch in tension, 5,000 pounds per square inch in compression. Hardened GFRC is colored with an Alkali reactive chemical stain, which permanently changes the surface color of the concrete. Final coloring is achieved with latex stain made for concrete. GFRC is readily repairable no matter the age of the material.

The estimated delivery date will be confirmed within 24 hours prior to shipping. If delivery date is changed a service charge of 10% of the shipping charge will be added to the rescheduled shipping.

It is the responsibility of the installation contractor to coordinate with the driver to insure timely offloading. The truck will remain on-site for 2 hours after the appointed delivery time. After this period there would be a fee of \$50 per hour

INSTALLATION

Read installation instructions thoroughly before starting installation process.

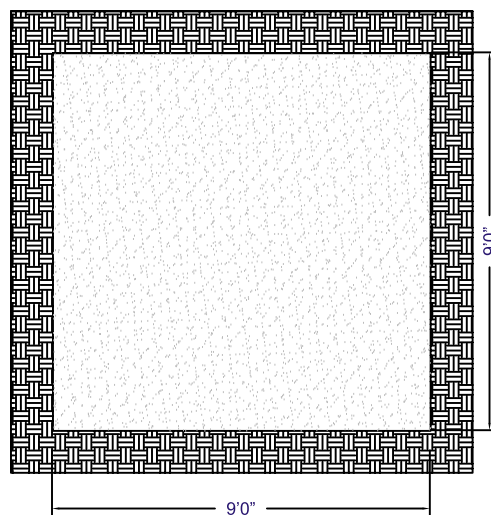
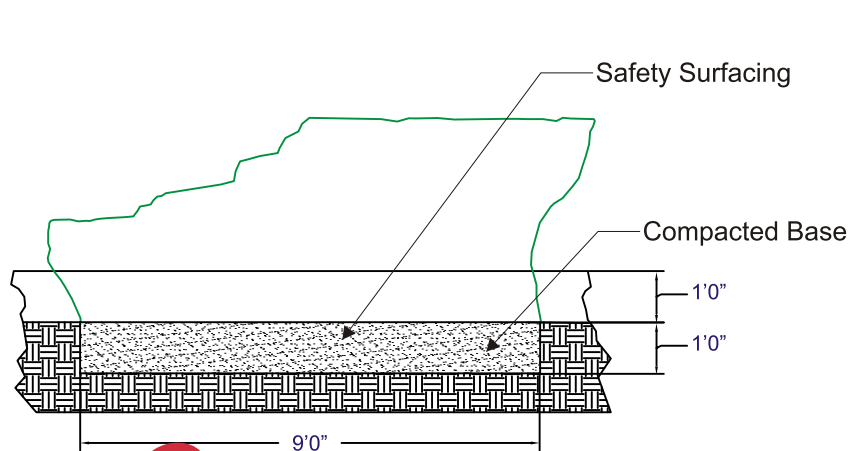
1. Foundation shall be prepared in advance of delivery of the climber. Base shall be compacted stone base - 10" minimum thickness with a vibratory compactor - to be determined by local soil conditions. Density requirement is 95% compaction with final condition of stone as level and stable so as not to shift when traveled on or during surface installation process. Area shall be 9'0" x 9'0".

2. SUMMIT is shipped in one piece on a Flatbed Semi to site. Fork Lift pockets are built in for lifting. Placement of components shall be placed with a Lull-type Forklift, Crane or Boom Truck capable of lifting 3,500 pounds centered on the compacted stone foundation. Test overall stability and rigidity of equipment. Take care in protecting the SUMMIT by not to make contact with concrete surface with installation equipment.

3. Shock absorbing properties of safety surfacing materials vary. If you determine that less or more than 12" of surfacing is required, make up the difference in elevation with earth and base before applying the surfacing. A soft, resilient surface should be placed around all climbers, extending at least eight feet in all directions surrounding the climber. NEVER INSTALL PLAY EQUIPMENT ON CONCRETE OR ASPHALT. A fall on a hard surface can result in serious injury to the equipment user.

ELEVATION

PLAN VIEW



We put the 'fun' in Functional.

custom themed play ENVIRONMENTS

SUMMIT™ ROCK CLIMBER

Installation Instructions



Start with a base of compacted aggregate



SUMMIT is shipped in one piece on a Flatbed Semi (STRATO pictured)



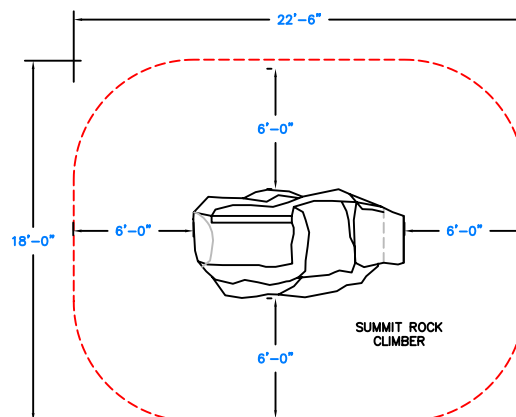
Forklift pockets built in for Lifting



Lower the SUMMIT (STRATO pictured) into place with a Lull-type Forklift, Crane or Boom Truck

⚠️ WARNING

INSTALLATION OVER A HARD SURFACE SUCH AS CONCRETE, ASPHALT, OR PACKED EARTH MAY RESULT IN SERIOUS INJURY OR DEATH FROM FALLS.



We put the 'fun' in Functional.

custom themed play ENVIRONMENTS

CRE8PLAY, LLC • 4645 Yorktown Lane N. • Plymouth, MN 55442 • Phone 612.670.8195 Fax 612.486.7740 • info@cre8play.com